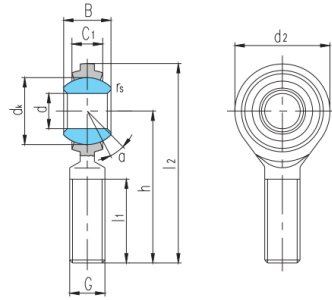


SAZJ..(d 4.83~19.05)



select	Inquiry	轴承型号		外形尺寸mm										额定载重	
		Bearing number	d	B	d <sub>k</sub>	C1 max	d <sub>2</sub>	G	h	l <sub>1</sub> min	l <sub>2</sub>	rs min	a°	动载荷 kN	静载荷 kg
SAZJ4	4.83	7.92	11.1	5.94	15.88	10-32	31.75	19.05	39.7	0.3	10	3.6	3.8	0.014	
SAZJ4	0.19	0.312	0.437	0.234	0.625	10-32	1.25	0.75	1.563	0.012	10	3.6	3.8	0.014	
SAZJ6	6.35	9.53	12.7	6.35	19.05	1/4-28	39.67	25.4	49.2	0.3	13.5	5.4	6.6	0.018	
SAZJ6	0.25	0.375	0.5	0.25	0.75	1/4-28	1.562	1	1.937	0.012	13.5	5.4	6.6	0.018	
SAZJ7	7.94	11.1	15.88	7.92	22.23	5/16-24	47.63	31.75	58.72	0.3	11	8.5	12	0.032	
SAZJ7	0.3125	0.437	0.625	0.312	0.875	5/16-24	1.875	1.25	2.312	0.012	11	8.5	12	0.032	
SAZJ9	9.53	12.7	18.26	9.12	25.4	3/8-24	49.23	31.75	61.93	0.6	11	11	16	0.050	
SAZJ9	0.375	0.5	0.719	0.359	1	3/8-24	1.938	1.25	2.438	0.024	11	11	16	0.050	
SAZJ11	11.11	14.27	20.62	10.31	28.58	7/16-20	53.98	34.93	68.28	0.6	10.5	14	21	0.068	
SAZJ11	0.4375	0.562	0.812	0.406	1.125	7/16-20	2.125	1.375	2.688	0.024	10.5	14	21	0.068	
SAZJ12	12.7	15.88	23.81	11.5	33.32	1/2-20	61.93	38.1	78.59	0.6	10	18	28	0.11	
SAZJ12	0.5	0.625	0.937	0.453	1.312	1/2-20	2.438	1.5	3.094	0.024	10	18	28	0.11	
SAZJ15	15.88	19.05	28.58	12.29	38.1	5/8-18	66.68	41.28	85.73	0.6	13	23	29	0.16	
SAZJ15	0.625	0.75	1.125	0.484	1.5	5/8-18	2.625	1.625	3.375	0.024	13	23	29	0.16	
SAZJ19	19.05	22.23	33.32	15.06	44.45	3/4-16	73.03	44.45	95.25	0.6	12	34	44	0.26	
SAZJ19	0.75	0.875	1.312	0.593	1.75	3/4-16	2.875	1.75	3.75	0.024	12	34	44	0.26	