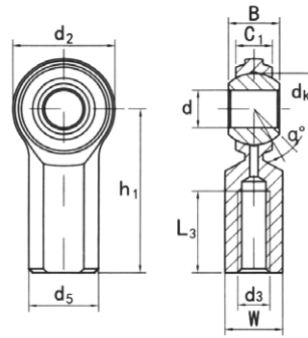


CF...,CF...S(d 4.826~19.05)



select Inquiry		型号Part No.		尺寸Dimensions mm											载重 Lord ratings	
		右螺纹 Right hand	左螺纹 Left hand	d	d ₃ UNF-2B	B	C ₁	d ₂	d ₅	h ₁	L ₃ min	d _k	w	a	KN	kg
CF3*	CFL3*	4.826	10-32	7.92	5.94	15.88	10.31	26.97	12.7	11.1	7.92	10	9.247	0.018		
CF4*	CFL4*	6.35	1/4-28	9.53	6.35	19.05	11.91	33.32	17.45	12.7	9.53	13.5	14.269	0.023		
CF 5*	CFL5*	7.938	5/16-24	11.1	7.92	22.23	12.7	34.93	17.45	15.88	11.1	11	17.009	0.036		
CF6	CFL6	9.525	3/8-24	12.7	9.12	25.4	17.45	41.28	20.62	18.26	14.27	11	22.627	0.059		
CF7	CFL7	11.113	7/16-20	14.27	10.31	28.58	19.05	46.02	23.8	20.62	15.88	10.5	28.4	0.082		
CF8	CFL8	12.7	V2-20	15.88	11.5	33.32	22.23	53.98	26.97	218	19.05	10	40.459	0.132		
CF 10	CFL10	15.875	5/8-18	19.05	12.29	38.1	25.4	63.5	34.93	28.58	22.23	13	43.203	0.195		
CF 12	CFL12	19.05	3/4-16	22.23	15.06	44.45	28.58	73.03	39.67	33.32	25.4	12	63.193	0.295		