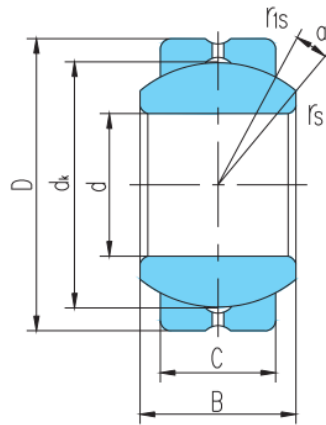


GEBJ..S (d 5~30)



select	Inquiry	Bearing No.	Dimensions(mm)								Basic Load Rating(kN)		Weight kg
			d	D	B	C	dk	rs min	r1s min	a°	Cr	Cor	
GEBJ5S	5	13	8	6	11.112	0.3	0.3	13	3.2	9	0.006		
GEBJ6S	6	16	9	6.75	12.7	0.3	0.3	13	4.1	12	0.01		
GEBJ8S	8	19	12	9	15.88	0.3	0.3	13	6.5	20	0.018		
GEBJ10S	10	22	14	10.5	19.05	0.3	0.6	13	9.6	28	0.027		
GEBJ12S	12	26	16	12	22.23	0.3	0.6	13	12	37	0.043		
GEBJ14S	14	28	19	13.5	25.4	0.3	0.6	15	16	49	0.055		
GEBJ16S	16	32	21	15	28.58	0.3	0.6	15	20	61	0.081		
GEBJ18S	18	35	23	16.5	31.75	0.6	0.6	15	25	74	0.103		
GEBJ20S	20	40	25	18	34.93	0.6	0.6	15	30	89	0.149		
GEBJ22S	22	42	28	20	38.1	0.6	0.6	15	36	108	0.176		
GEBJ25S	25	47	31	22	42.86	0.6	0.6	15	45	130	0.242		
GEBJ30S	30	55	37	25	50.8	0.6	0.6	15	61	178	0.378		